

CABLE 286 RF: MCX R/A PLUG + BNC STRAIGHT BULKHEAD JACK WITH O-RING RATED TO IP67/68 + MULTIPLE CABLE SIZES

SPECIFICATIONS:

1. MCX RIGHT ANGLE PLUG, P/N:  
FOR RG316 CABLE: RFCT-MCX002-M74.  
FOR Ø1.32MM CABLE: RFCT-MCX010-M32.
2. COAXIAL CABLE, SEE P/N OPTION FOR DETAIL.
3. BNC STRAIGHT BULKHEAD JACK WITH O-RING RATED TO IP67/68, P/N:  
FOR RG316 CABLE: RFCT-BNC001-F74.  
FOR Ø1.32MM CABLE: RFCT-BNC006-F78.

ENVIRONMENTAL:

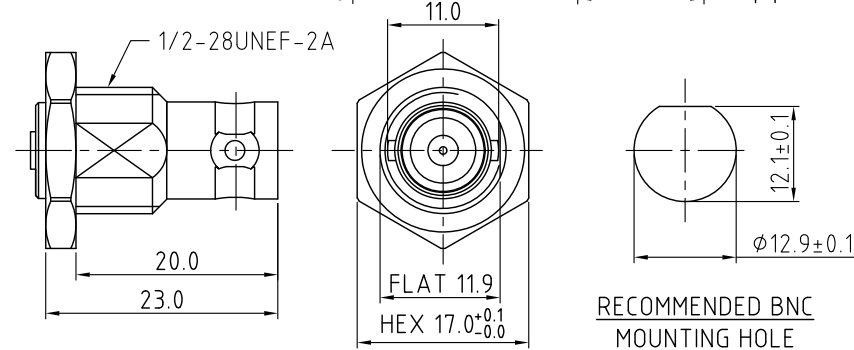
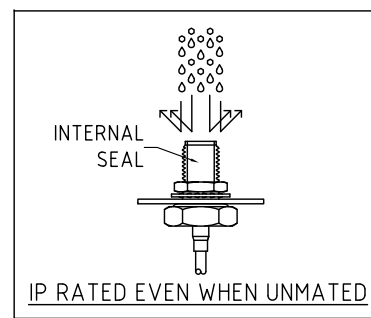
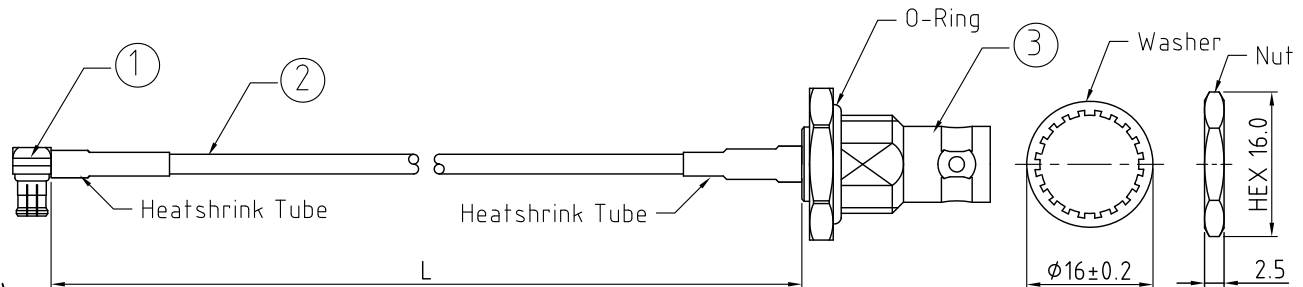
A. BULKHEAD MOUNTED CONNECTOR (RFCT-BNC001-F74/ RFCT-BNC006-F78)

TESTED TO THE FOLLOWING SPECIFICATION:

- i. IP6X - DUST TIGHT - NO PARTICLE INGRESS.
- ii. IPX7 WATERPROOF FOR 30 MINUTES UP TO 1 METER UNDERWATER.
- iii. IPX8 WATERPROOF FOR 48 HOURS AT 1 METER UNDERWATER.
- iv. IPX8 WATERPROOF FOR 12 HOURS AT 5 METERS UNDERWATER.
- v. PRESSURE TEST - 1 BAR FOR 10 SECONDS.

NOTES:

1. THE ORIENTATION OF CONNECTORS ON DRAWING IS FOR REFERENCE ONLY, IF THE ORDER IS LEFT BLANK THE CONNECTOR WILL NOT HAVE FIXED ORIENTATION.
2. FIXED ORIENTATION IS SUGGESTED FOR CABLE LENGTH 50MM TO 100MM. PLEASE SPECIFY THE FIXED ORIENTATIONS FROM THE ORDER CODE (F1, F2, ETC)
3. CONTACT GRAD CONN IF THE ORIENTATION YOU REQUIRE IS NOT SHOWN.
4. WORKING FREQUENCY RANGE: DC-3GHz.
5. OPERATING TEMPERATURE: -40°C TO +80°C.
6. IMPEDANCE: 50 OHM.



RECOMMENDED BNC MOUNTING HOLE

HOW TO ORDER

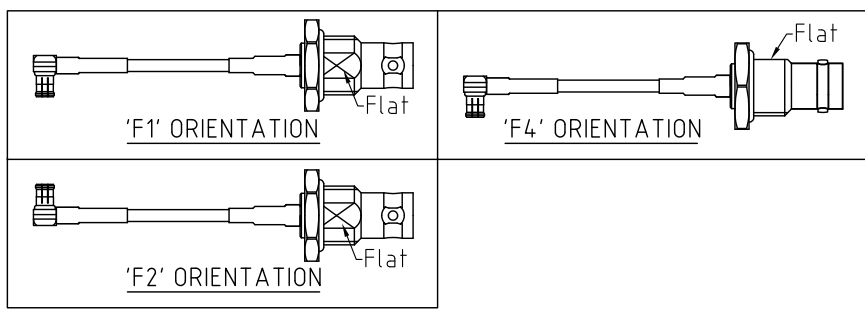
CABLE 286 RF - XXXX - XX - X - X

"L" LENGTH IN MM  
eg: 100MM = 0100  
(MIN. = 0050, MAX. = 2000, STANDARD = 0100, 0150, 0200)  
Tolerance: 50-200mm: ±5mm.  
201-500mm: ±7mm.  
>500mm: ±10mm.

CABLE SIZE OPTIONS:  
1 = RG316 CABLE, COLOR: BROWN  
2 = Ø1.32MM CABLE, COLOR: GRAY

O-RING, WASHER AND NUT OPTIONS:  
BLANK = SEPARATELY PACKED (STANDARD)  
A = ASSEMBLED WITH CONNECTOR

ORIENTATION OPTIONS:  
BLANK = DOES NOT HAVE A FIXED ORIENTATION  
F1 = MCX CONNECTION DOWN (L=50-200MM)  
F2 = MCX CONNECTION UP (L=50-200MM)  
F4 = MCX CONNECTION & BNC D FLAT OPPOSITE DIRECTION (50-200MM)  
(SEE NOTES 1, 2, 3 AND DIAGRAMS FOR MORE INFORMATION)



REV. DATE & DRN  
10 29/09/17 - NYW RELEASE  
11 10/05/20 - NYW  
12 ADD CABLE ORN 2  
13 ADD IP RATING VIEW

Scale: NTS	THIRD ANGLE	Unstated .X .XX .XXX ANGLES	Tolerances: N/A N/A N/A N/A
Drawn: CC			
App'd: XXX	Title CABLE ASSEMBLY		
Date: 10 MAR. '24	Revision: 1.2	Unit: mm	



IP Rated RF Products www.gradconn.com

THIS DRAWING IS CONFIDENTIAL AND MUST NOT BE COPIED OR DISCLOSED WITHOUT WRITTEN CONSENT

Type: Cable 286 RF
CABLE 286 RF
Drawing Number:
Sheet 1 of 1
Drawing © E and O E